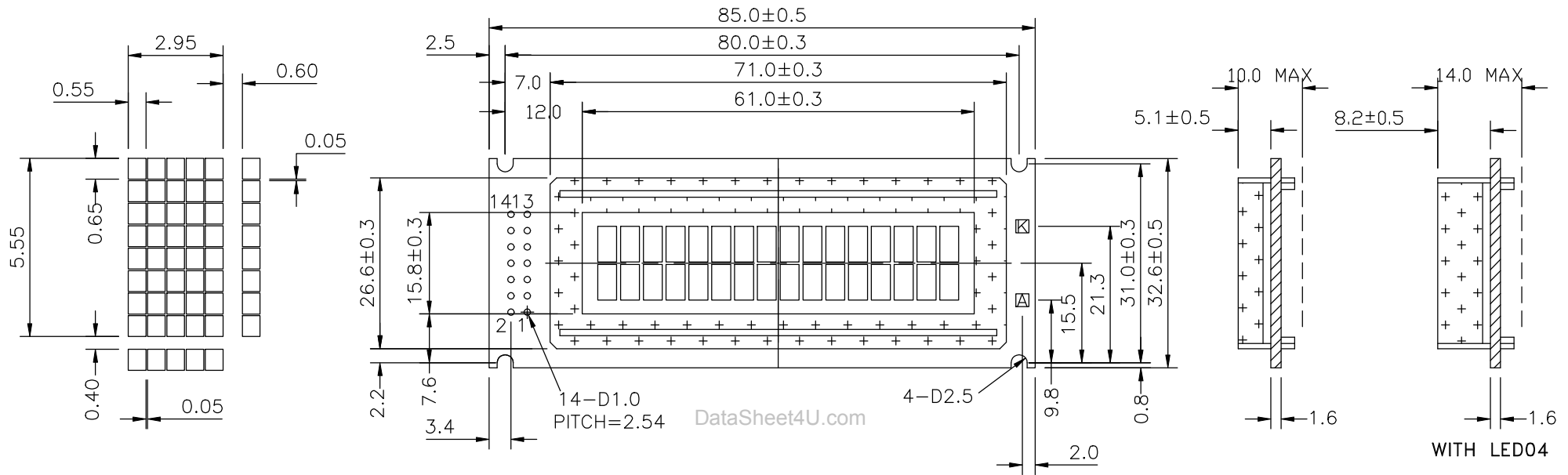


<p>16 CHARACTERS X 2 LINES CHARACTER SIZE: 2.95W X 4.85H mm (5 X 7 DOTS) 2.95W X 5.55H mm (5 X 8 DOTS)</p>	<h1 style="margin: 0;">MDL(S)-162S65</h1>
---	---



14 PIN CONNECTION	1	2	3	4	5	6	7	8	9	10	11	12	13	14	A	K
	VSS	VDD	V0	RS	R/W	E	DB0	DB1	DB2	DB3	DB4	DB5	DB6	DB7	LED(+)	LED(-)

